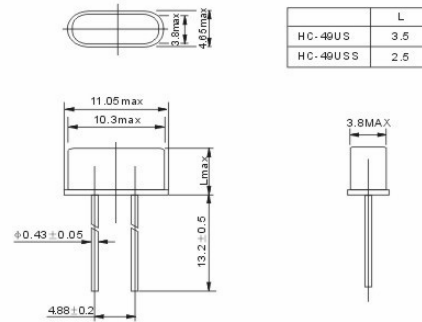


**HC-49US/HC-49USS SERIES**

**DIMENSIONS(mm)**



**PARAMETERS**

PARAMETER	SPECIFICATION
Frequency Range (MHz)	3.0~75.0MHz
Operation Mode	See Table 2
Load Capacitance CL (PF)	20PF Std. 8 to 50pF Series available
Frequency Tolerance FL (ppm)	±20ppm Std. ±5~±30ppm available
Temperature Tolerance TL (ppm)	±20ppm Std. (See Table 3)
Operating Temperature To (°C)	-20°C to +70°C Std. (See table 3)
Storage Temperature St (°C)	-55°C to +85°C
Motional Resistance Rs (Ω)	See table 2
Shunt Capacitance Co (PF)	7PF Max.
Drive Level DL (μw)	100μw Std. 0.01~500μw available
Insulation Resistance IR (MΩ)	500MΩ (DC100±10V) Min.
Aging (ppm/y)	±3ppm Max.

**OPERATION MODE AND RS**

**TEMPERATURE TOLERANCE**

FREQUENCY	TYPE	MODE	HC-49US/HC-49USS (Ω Max)
3.0~3.5MHz		AT FUND	300
3.5~3.8MHz		AT FUND	150
3.8~4.1MHz		AT FUND	120
4.1~5.0MHz		AT FUND	100
5.0~6.0MHz		AT FUND	80
6.0~8.0MHz		AT FUND	70
8.0~10.0MHz		AT FUND	60
10.0~12.0MHz		AT FUND	50
12.0~28.0MHz		AT FUND	40
28.0~33.5MHz		AT FUND	40
18.0~35.0MHz		BT FUND	40
26.0~40.0MHz		3rd OVERTONE	100
40.0~75.0MHz		3rd OVERTONE	80

TABLE 2

● **RECOMMENDED** ○ **AVAILABLE**

CUTTING	TEMP RANGE	FREQUENCY TOLERANCE(ppm)						
		±5	±10	±15	±20	±30	±50	±100
AT	0~+50°C	○	○	○	○	○	○	○
	-10~+60°C		○	○	●	○	○	○
	-20~+70°C			○	●	○	○	○
	-30~+80°C				●	○	○	○
	-40~+85°C				●	○	○	○
BT	-20~+70°C						●	○

TABLE 3