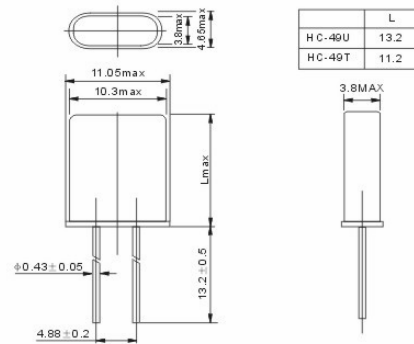
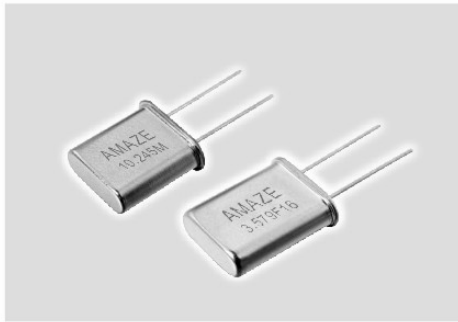


HC-49U/HC-49T SERIES

DIMENSIONS(mm)



PARAMETERS

PARAMETER	SPECIFICATION
Frequency Range (MHz)	1.8 ~ 100MHz
Operation Mode	See Table 2
Load Capacitance CL (PF)	20PF Std. 8 to 50pF Series available
Frequency Tolerance FL (ppm)	±20ppm Std. ±5 ~ ±30ppm available
Temperature Tolerance TL (ppm)	±20ppm Std. (See Table 3)
Operating Temperature To (°C)	-20°C to +70°C Std. (See table 3)
Storage Temperature St (°C)	-55°C to +85°C
Motional Resistance Rs(Ω)	See table 2
Shunt Capacitance Co (PF)	7PF Max.
Drive Level DL (μw)	100 μw Std. 0.01~500 μw available
Insulation Resistance IR (MΩ)	500MΩ (DC100±10V) Min.
Aging (ppm/y)	±3ppm Max

OPERATION MODE AND RS

FREQUENCY	TYPE	MODE	HC-49T (Ω Max)	HC-49U (Ω Max)
1.8 ~ 2.0MHz		AT FUND		600
2.0 ~ 2.4MHz		AT FUND		450
2.4 ~ 3.0MHz		AT FUND		350
3.0 ~ 3.5MHz		AT FUND		150
3.5 ~ 4.0MHz		AT FUND	150	90
4.0 ~ 7.0MHz		AT FUND	90	70
7.0 ~ 10MHz		AT FUND	50	50
10 ~ 15MHz		AT FUND	45	35
15 ~ 20MHz		AT FUND	25	25
20 ~ 25MHz		FUND/3rd OVERTONE	40	40
25 ~ 30MHz		FUND/3rd OVERTONE	60	40
30 ~ 75MHz		3rd OVERTONE	40	40
75 ~ 100MHz		3RD/5th OVERTONE	30/60	30/60
27 ~ 35MHz		BT FUND	40	40

TABLE 2

TEMPERATURE TOLERANCE

● **RECOMMENDED** ○ **AVAILABLE**

CUTTING	TEMP RANGE	FREQUENCY TOLERANCE(ppm)						
		±5	±10	±15	±20	±30	±50	±100
AT	0 ~ +50°C	○	○	○	○	○	○	○
	-10 ~ +60°C		○	○	●	○	○	○
	-20 ~ +70°C			○	●	○	○	○
	-30 ~ +80°C				●	○	○	○
	-40 ~ +85°C				●	○	○	○
BT	-20 ~ +70°C						●	○

TABLE 3