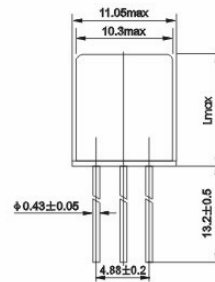


HC-49UIHC-49T SERIES

DIMENSIONS(mm)

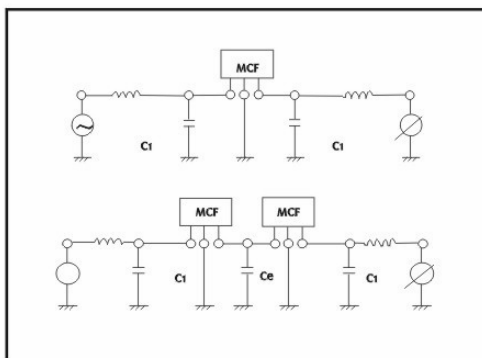


	L
HC-49/U	13.2
HC-49/T	11.2

PARAMETERS

MODEL	NOMINAL FREQUENCY MHz	PASS BAND WIDTH KHz/dB	STOP BAND WIDTH KHz/dB	RIPPLE dB	INSERTION LOSS dB	TERMINAL IMPEDANCE R/C ω//pF]	OPERATING TEMP. RANGE °C	MODE OF OSCILLATOR	POLE
10LM07A	10.695	±3.75/3	±20/20	0.5	2.0	1800//5	-20°C~70°C	Fund	2
10LM15A	10.695	±7.5/3	±25/18	0.5	2.0	3000//2	-20°C~70°C	Fund	2
10LM20A	10.695	±10/3	<70/18	0.5	2.0	2-3000	-20°C~70°C	Fund	2
10M07A1	10.7	±3.75/3	±18/20	0.5	2.0	1800//5	-20°C~70°C	Fund	2
10M07A2	10.7	±3.75/3	±20/20	0.5	2.0	1800//5	-20°C~70°C	Fund	2
10M12A	10.7	±6.00/3	±20/18	0.5	2.0	3000//3	-20°C~70°C	Fund	2
10M15A	10.7	±7.5/3	±25/18	0.5	2.0	3000//2	-20°C~70°C	Fund	2
10M20A	10.7	±10/3	<70/18	0.5	2.0	2-3000	-20°C~70°C	Fund	2
10M30A	10.7	±15/3	±50/18	0.5	2.0	5500//-	-20°C~70°C	Fund	4
10M07B1	10.7	±3.75/3	±14/40	1.0	2.5	1800//4	-20°C~70°C	Fund	4
10M07B2	10.7	±3.75/3	±15/40	1.0	2.5	1500//4	-20°C~70°C	Fund	4
10M12B	10.7	±6.00/3	±20/40	1.0	2.5	2800//1	-20°C~70°C	Fund	4
10M15B1	10.7	±7.50/3	±25/40	1.0	2.5	3000//1	-20°C~70°C	Fund	4
10M15B2	10.7	±7.50/3	±25/40	1.0	2.5	3000//1	-20°C~70°C	Fund	4
10M15B3	10.7	±7.50/3	±27/40	1.5	2.5	2-3000	-20°C~70°C	Fund	4
10M20B	10.7	±10/3	±34/40	2.0	2.5	2-3000	-20°C~70°C	Fund	4
10M30B	10.7	±15/3	±50/40	1.0	2.5	5500//1	-20°C~70°C	Fund	4

TEST CIRCUIT



PASS BAND FILTER SPEC-DRAWING

