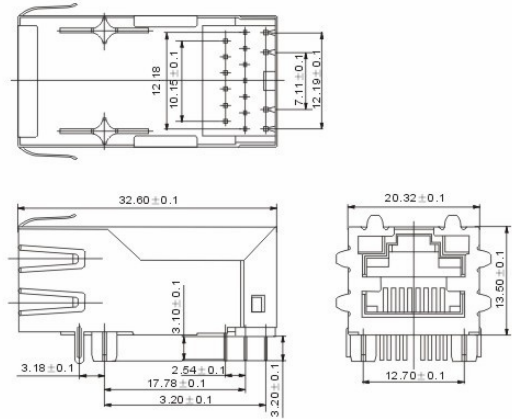


ACZT-TS-60001

DIMENSIONS(mm)



PARAMETERS

Turns ratio	(P7~P8):(J1~J2)=1:1 ± 3% (P2~P3):(J3~J6)=1:1 ± 3%
Inductance	(P7~P8)=350uH MIN @ 0.1V,100KHZ, 8mA DC BIAS (P2~P3)=350uH MIN @ 0.1V,100KHZ, 8mA DC BIAS
Leakage inductance	P7~P8(WITH J1 AND J2 SHORT)=0.3uH MAX @1 MHZ P2~P3(WITH J3 AND J6 SHORT)=0.3uH MAX @1 MHZ
Interwindind Capcitanace	(P7~P8):(J1~J2)=30pF MAX @ 1MHZ (P2~P3):(J3~J6)=30pF MAX @ 1MHZ
DC Resistance	(J1~J2):(J3~J6)=1.2 OHMS MAX
Return Loss	1MHZ TO 30MHZ=-18dB MIN 30MHZ TO 80MHZ=-12dB MIN
Dielectric withstand	(P7~P8):(J1~J2)=1500VAC (P3~P4):(J3~J6)=1500VAC
Insertion loss	RS=RL=100OHM 100KHZ TO 80MHZ=-1.1dB MIN
RISE TIME	RS=100 OHMS AND RL=100OHMS OUTPUT VOLTAGE=1V PEAK : 3.0nS MAX PULSE WIDTH= 112nS : 3.0nS mAX
Cross talk	1MHZ TO 100MHZ 40dB TYP
COMMON TO COMMON MODE ATTENUATION	30MHZ TO 100MHZ :35dB TYP