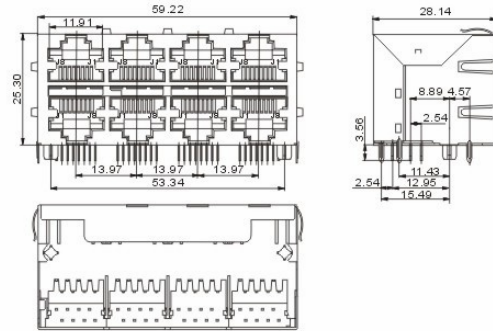
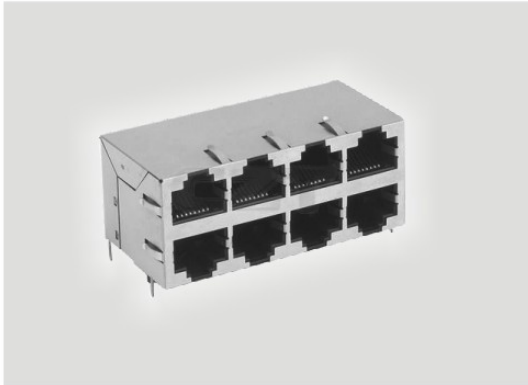


ACZT-TS-30005

DIMENSIONS(mm)



PARAMETERS

Turns ratio	(P1~P2):(J1~J2) :1:1 ±3% (P3~P6):(J3~J6) :1:1 ±3%
Inductance	(P1~P2)=350uH MIN @0.1V,100KHZ,8mA DC BIAS (P3~P6)=350uH MIN @0.1V,100KHZ,8mA DC BIAS
Leakage inductance	P1~P2(WITH J1 AND J2 SHORT) =0.3uH MAX @1MHZ P3~P6(WITH J3 AND J6 SHORT)=0.3uH MAX @1MHZ
Interwindind Capcitanace	(P1~P2):(J1~J2)=35pF MAX @ 1MHZ (P3~P6):(J3~J6)=35pF MAX @ 1MHZ
DC Resistance	(J1~J2):(J3~J6) =1.2 OHMS MAX
Return Loss	1MHZ TO 30MHZ=-18dB MIN 30MHZ TO 80MHZ=-12dB MIN
Dielectric withstand	P1~P2):(J1 J2) =1500VAC (P3~P6):(J3 J6) =1500VAC
Insertion loss	RS=RL=100OHM 100KHZ TO 80MHZ =-1.1dB MIN
RISE TIME	RS=100OHMSAND RL=100OHMS OUTPUT VOLTAGE=1V PEAK :3.0nS MAX PULSE WIDTH=112nS :3.0nS MAX
Cross talk	1MHZ TO 100MHZ 40dB TYP
COMMON TO COMMON MODE ATTENUATION	30MHZ TO 100MHZ =35dB TYP